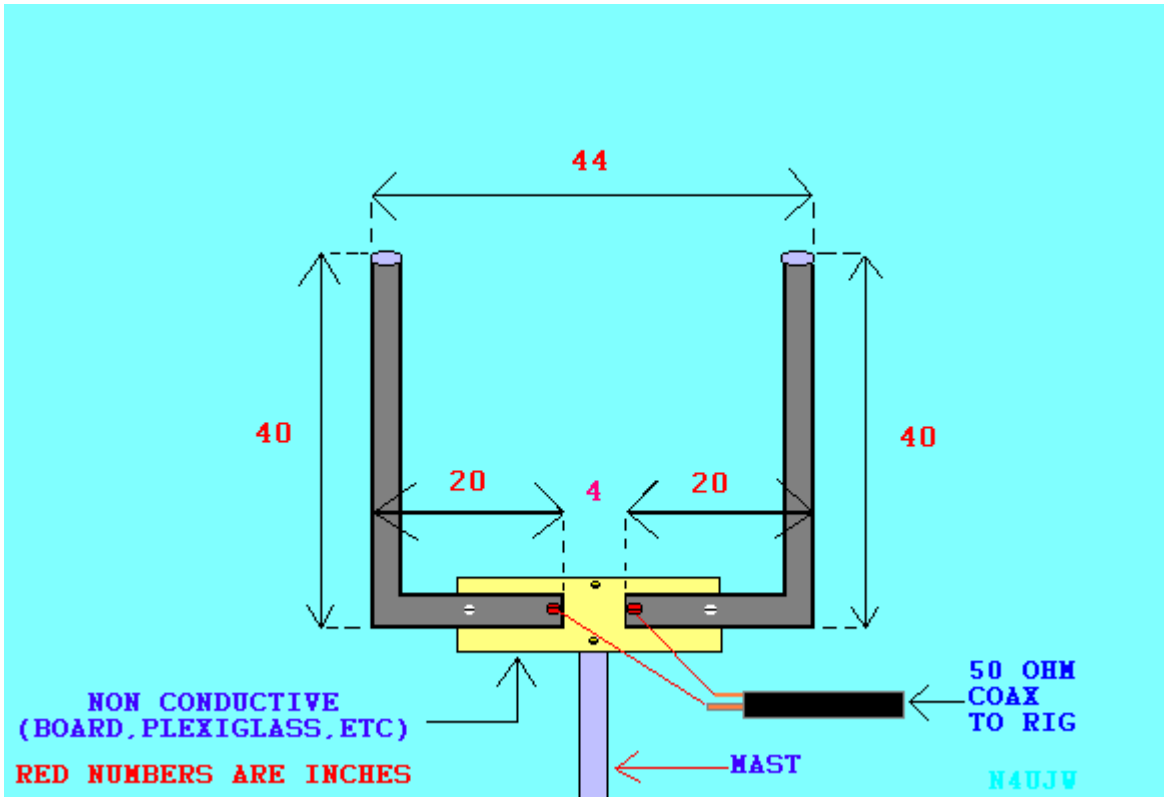


# TWO-METER SLINGSHOT

03 SEPTEMBER 2003



Note: Each element is  $\frac{1}{4}$  Lambda

Credits: Re-edited by N4UJW from an original article by David Younker KA8OGD (callsign no longer valid), an earlier version of which appeared in 73 Magazine April 1989.